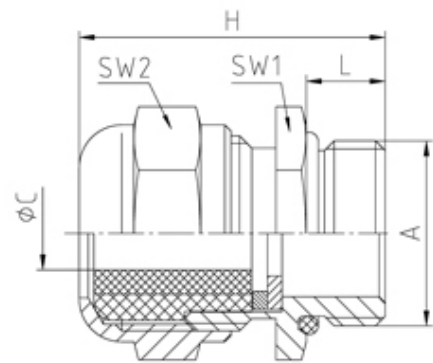




Nickel Plated Brass PG Cable Glands

Range: Cable Glands/Grommets

Order Code: 100980/4-10



DESCRIPTION

Wadi EMC cable gland PG9 thread length 6.5, min/max cable dia 5-9.5 sealing insert material Polychloroprene-Nitrile rubber CR/NBR

Subject to technical modification without notice.

Typographical and other errors do not justify claim for damages.

SPECIFICATION

Product Type	Standard
Body Material	Nickel Plated Brass
Min Temperature Rating °C	-30
Max Temperature Rating °C	110
IP Rating	68
Thread Size	PG9
Clamping Range Min (mm)	5
Clamping Range Max (mm)	9.5
External Connecting Thread Type	PG
Thread Length (mm)	6.5
Sealing Insert	Polychloroprene-Nitrile rubber CR/NBR
Width Across Flat 1 (mm)	18
Width Across Flat 2 (mm)	18
Height (mm)	25
Connecting Thread Size	Pg 9
Additional Material Detail	Body - Brass CuZn39Pb3 nickel plated, O-Ring - Nitrile rubber