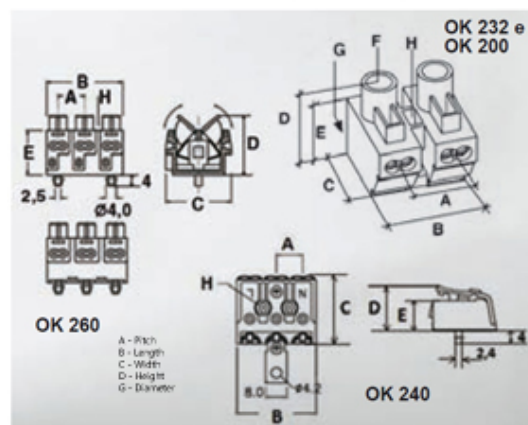
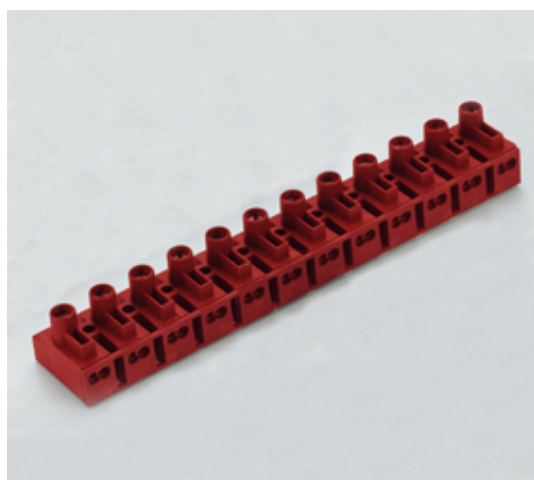


# Screw to Pushwire Pillar Blocks

## Range: Emech Terminals/Accessories

Order Code: HY200/3 FVLPSP



### DESCRIPTION

3 pole polyamide PA6.6 wire protected screw to pushwire pillar block 10mm pitch 32a 450v

*Subject to technical modification without notice.*

*Typographical and other errors do not justify claim for damages.*

## SPECIFICATION

<b>Number of Poles</b>	3
<b>Terminal Material</b>	Nickel plated steel
<b>Terminal Type</b>	Wire Protected
<b>Body Material</b>	Polyamide PA6.6
<b>UL94 Rating</b>	UL94V0
<b>Max Conductor Size (Sq mm)</b>	1.5/4
<b>Max Current (A)</b>	32
<b>Max Voltage (V)</b>	450
<b>Working Temperature</b>	150
<b>Pitch (mm)</b>	10
<b>Height (mm)</b>	16.2
<b>Width (mm)</b>	20.4
<b>Length (mm)</b>	27
<b>Diameter (mm)</b>	2.8
<b>Comments</b>	without foot
<b>Terminal Screw Material</b>	White zinc plated steel
<b>Wire Protection Material</b>	Stainless Steel

## INDUSTRY ACCREDITATIONS

