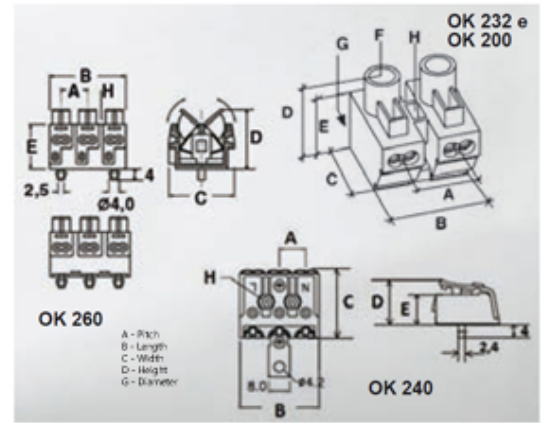


## HY240/5 NY

5 pole polyamide PA6.6 screw to pushwire pillar block 10mm pitch 24a 400v



### SPECIFICATION

Number of Poles	5
Terminal Material	Nickel plated steel
Body Material	Polyamide PA6.6
UL94 Rating	UL94V2
Max Conductor Size (Sq mm)	2.5
Max Current (A)	24
Max Voltage (V)	400
Working Temperature	110
Pitch (mm)	10
Height (mm)	17
Width (mm)	25.4
Length (mm)	49.8
Diameter (mm)	3
Flammability Rating	UL94V2 and GWIT775°C
Terminal Screw Material	White zinc plated steel