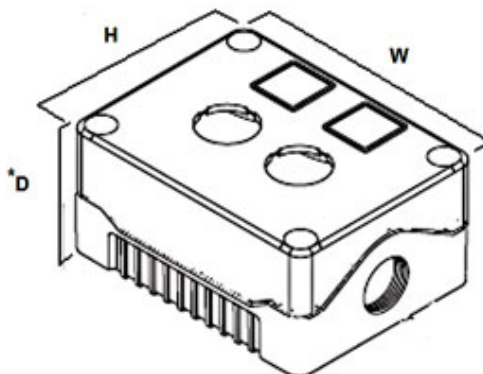


1DE.01.06AG

Single switch, grey cover, grey base, green flush push button



*Enclosure only except 1DE .SP series where D includes actuator height

SPECIFICATION

Accessories Available	DIN rail and flange snap-on brackets
Base Colour	Grey
Base Style	Standard base
Depth (mm)	53
Enclosure Material	ABS-UL94-HB
Height (mm)	80
IP Rating	IP66
Lid Colour	Grey
Max Temperature Rating °C	65
Minimum Temp Rating °C	-10
Number of Switches	1
Size (mm)	80x73x53
Switch 1 Style	Pushbutton non-illuminated
Switch 1 Substyle	Flush head
Width (mm)	73

DISTRIBUTORS

