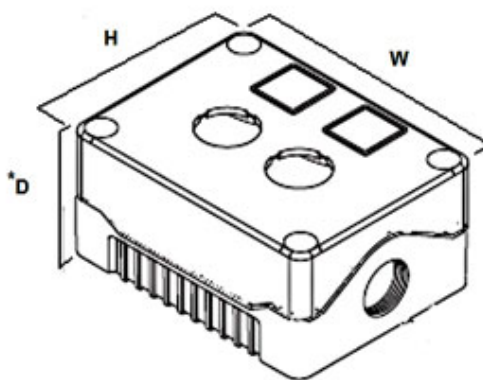


Emergency Stop Stations

Range: Control Stations

Order Code: SCS-PEK-BY-RXX (2DE.01.03AB)



*Enclosure only except 1DE .SP series where D includes actuator height

DESCRIPTION

E-stop c/w key reset, deep base, yellow cover, black base, red mushroom head EN418

CONTROL STATIONS FEATURES

- Customised control station service available - please ask for details.
- Insulation resistance - >100M Ω @ 500VDC
- Enclosures sealed up to IP56
- Unique snap on Din Rail and Flange brackets
- Dust & waterproof for short-term submersion
- 4 sizes available! Accepting 1-4 push button switches
- 2 contact blocks fitted as standard
- Different voltage ratings are available
- Contact material - Silver Bifurcated and serrated
- Operating Temperature -10 to +65°C
- Contact rating - AC12 Resistive / AC15 Electromagnetic - 240V (3A) / 415V (1.5A)
- Mechanical life - 1 million operations

Features may vary by product throughout the range.

Subject to technical modification without notice.

Typographical and other errors do not justify claim for damages.

SPECIFICATION

Accessories Available	DIN rail and flange snap-on brackets
Base Colour	Black
Base Style	Deep base
Depth (mm)	78
Enclosure Material	ABS-UL94-HB
Height (mm)	80
IP Rating	IP66
Lid Colour	Yellow
Min Temperature Rating °C	-10
Max Temperature Rating °C	65
Number of Switches	1
Size (mm)	80x73x78
Switch 1 Style	Pushbutton non-illuminated, key reset
Switch 1 Substyle	Mushroom head key reset
Width (mm)	73

INDUSTRY ACCREDITATIONS

EN