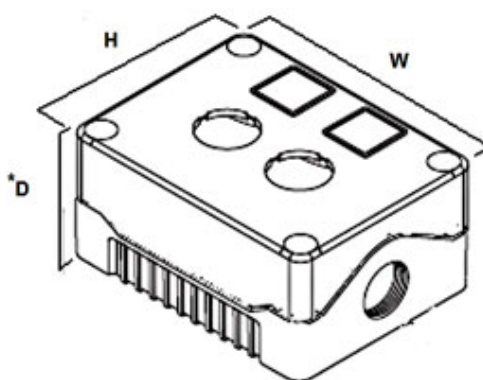


# Emergency Stop Stations

## Range: Control Stations

Order Code: SCS-PRE-GY-RGG (2DE.03.01AG)



\*Enclosure only except 1DE .SP series where D includes actuator height

### DESCRIPTION

E-stop twist to release and 2 black push buttons for up/down, left/right, yellow cover, deep grey base.

### CONTROL STATIONS FEATURES

- Customised control station service available - please ask for details.
- Insulation resistance - >100M $\Omega$  @ 500VDC
- Enclosures sealed up to IP56
- Unique snap on Din Rail and Flange brackets
- Dust & waterproof for short-term submersion
- 4 sizes available! Accepting 1-4 push button switches
- 2 contact blocks fitted as standard
- Different voltage ratings are available
- Contact material - Silver Bifurcated and serrated
- Operating Temperature -10 to +65°C
- Contact rating - AC12 Resistive / AC15 Electromagnetic - 240V (3A) / 415V (1.5A)
- Mechanical life - 1 million operations

*Features may vary by product throughout the range.*

*Subject to technical modification without notice.*

*Typographical and other errors do not justify claim for damages.*

## SPECIFICATION

Accessories Available	DIN rail and flange snap-on brackets
Base Colour	Grey
Base Style	Deep base
Depth (mm)	78
Enclosure Material	ABS-UL94-HB
Height (mm)	80
IP Rating	IP56
Lid Colour	Yellow
Min Temperature Rating °C	-10
Max Temperature Rating °C	65
Number of Switches	3
Size (mm)	80x139x78
Switch 1 Legend Sticker	EM. STOP
Switch 1 Style	Pushbutton non-illuminated
Switch 1 Substyle	Mushroom head
Switch 2 legend Sticker	UP
Switch 2 Style	Pushbutton non-illuminated
Switch 2 Substyle	Flush head
Switch 3 legend Sticker	DOWN
Switch 3 Style	Pushbutton non-illuminated
Switch 3 Substyle	Flush head
Width (mm)	139

## INDUSTRY ACCREDITATIONS

# EN