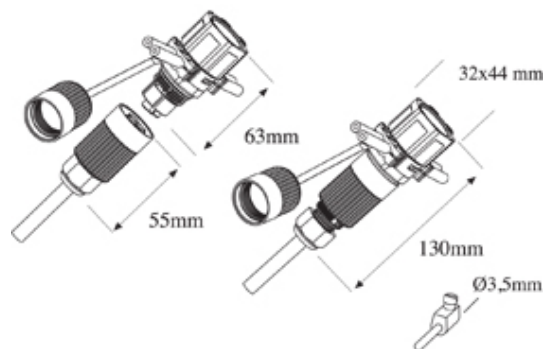


TeePlug & Sockets

Range: Weatherproof/Waterproof Connectors

Order Code: CWP-PNI-SAA-P02N (THB.370.A2A)



DESCRIPTION

TeePlug 2 pole terminal 7mm to 12mm cable diameter, 1.5 mm max conductor size IP65 17.5A 450V

WEATHERPROOF/WATERPROOF CONNECTORS FEATURES

- Components are keyway coded to ensure correct assembly
- All products are quick and simple to install
- Bulkhead/chassis mount options available (depending on product type)
- Temperature range of -20°C to +125°C

Features may vary by product throughout the range.

Subject to technical modification without notice.

Typographical and other errors do not justify claim for damages.

SPECIFICATION

Type	Plug
Max Current (A)	17.5
Max Voltage (V)	450
Number of Poles	2
Min Conductor Size (Sq mm)	0.5
Max Conductor Size (Sq mm)	1.5
Minimum Cable Diameter (mm)	7
Maximum Cable Diameter (mm)	12
IP Rating	65
Min Temperature Rating °C	-40
Max Temperature Rating °C	125
Temperature "T" Rating	T85
Body Material	PA66/TPE/SEBS
Series	TH370

INDUSTRY ACCREDITATIONS

