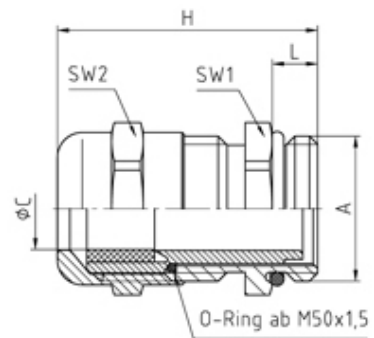


# Stainless Steel Metric Cable Glands

## Range: Cable Glands/Grommets

Order Code: GCG-SMS-M20-SS (50.620 ES)



### DESCRIPTION

Perfect cable gland ES M20X1,5 thread length 6, min/max cable dia 9-13

### CABLE GLANDS/GROMMETS FEATURES

- Stainless Steel
- Integrated anchorage
- Protection against twisting
- Wide sealing & clamping ranges
- Easy to install

*Subject to technical modification without notice.*

*Typographical and other errors do not justify claim for damages.*

## SPECIFICATION

<b>Product Type</b>	ES
<b>Sealing Ring Material</b>	Polychloroprene-Nitrile rubber CR/NBR
<b>Body Material</b>	Stainless steel
<b>Min Temperature Rating °C</b>	-20
<b>Max Temperature Rating °C</b>	100
<b>IP Rating</b>	68
<b>Thread Size</b>	M20
<b>Clamping Range Min (mm)</b>	9
<b>Clamping Range Max (mm)</b>	13
<b>Lamellar Insert Material</b>	Polyamide PA6 V-2
<b>External Connecting Thread Type</b>	Metric
<b>Thread Length (mm)</b>	6
<b>Comments</b>	details about tests - see annex, with Viton-sealing ring and Viton-O-ring on request
<b>Width Across Flat 1 (mm)</b>	22
<b>Width Across Flat 2 (mm)</b>	22
<b>Height (mm)</b>	33.5
<b>Connecting Thread Size</b>	M20x1.5
<b>Additional Material Detail</b>	Body - Stainless steel 1.4305, O-Ring - Nitrile rubber
<b>Standards</b>	UL514B

## INDUSTRY ACCREDITATIONS

