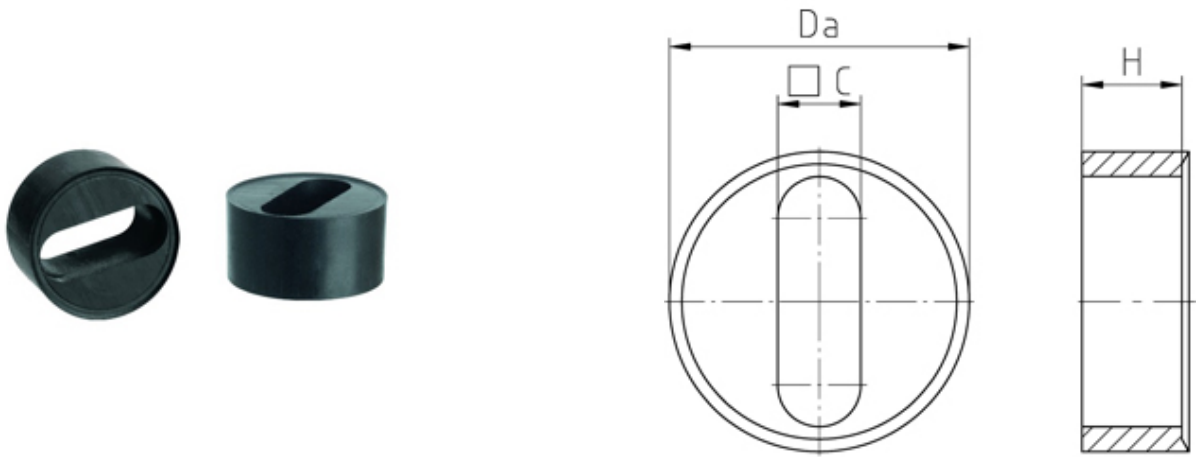




Inserts/Accessories

Range: Cable Glands/Grommets

Order Code: WJ-DM 40FK1



DESCRIPTION

Flat cable sealing inserts cable dims -10x27

*Subject to technical modification without notice.
Typographical and other errors do not justify claim for damages.*

SPECIFICATION

Product Type	Standard
Min Temperature Rating °C	-30
Max Temperature Rating °C	100
Thread Size	M40
Clamping Range Max (mm)	10x27
External Diameter (mm)	32.3
Sealing Insert	Evoprene TPE
Comments	assembled in PERFECT series: 50.6xx MFK1, 50.6xx PAzzzzFK1
Height (mm)	15