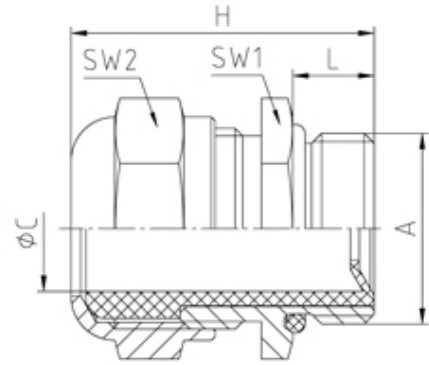


## 100946

Wadi cable gland PG 9-6MM thread length 6.5, min/max cable dia 4-6 sealing insert material Nitrile rubber



### SPECIFICATION

<b>Product Type</b>	Standard
<b>Body Material</b>	Nickel Plated Brass
<b>Min Temperature °C</b>	-30
<b>Max Temperature °C</b>	110
<b>IP Rating</b>	65
<b>Thread Size</b>	PG9
<b>Clamping Range Min (mm)</b>	4
<b>Clamping Range Max (mm)</b>	6
<b>External Connecting Thread Type</b>	PG
<b>Thread Length (mm)</b>	6.5
<b>Sealing Insert</b>	Nitrile rubber
<b>Washer Material</b>	Brass, nickel-plated
<b>Width Across Flat 1 (mm)</b>	18
<b>Width Across Flat 2 (mm)</b>	18
<b>Height (mm)</b>	24
<b>Connecting Thread Size</b>	Pg 9
<b>Additional Material Detail</b>	Body - Brass CuZn39Pb3 nickel plated, O-Ring - Nitrile rubber