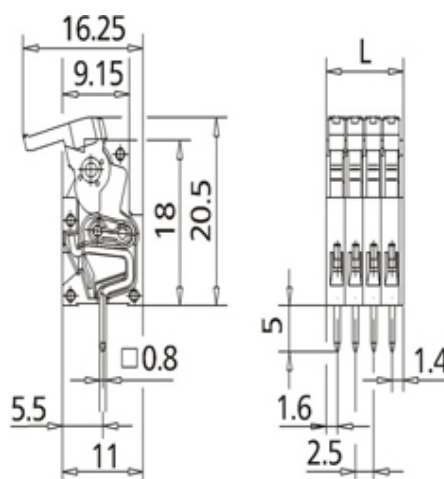
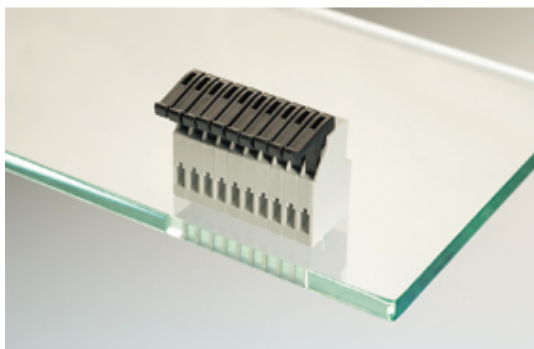


# Standard PCB Terminal Blocks

Range: PCB Terminal Blocks, Connectors and Fuse Holders

Order Code: AST0210504



## DESCRIPTION

5 Pole horizontal spring PCB terminal block 2.5mm pitch 9A 80V

*Subject to technical modification without notice.*

*Typographical and other errors do not justify claim for damages.*

## SPECIFICATION

|                                    |   |
|------------------------------------|---|
| <b>Type</b>                        | Spring - Screwless  |
| <b>Connection Method</b>           | Lever / Tool Less   |
| <b>Mounting Type</b>               | Wave - through hole   |
| <b>Orientation</b>                 | Horizontal  |
| <b>Join</b>                        | End stackable   |
| <b>Pitch (mm)</b>                  | 2.5   |
| <b>Number of Poles</b>             | 5   |
| <b>Min Wire Size (Sq mm)</b>       | 0.08  |
| <b>Max Wire Size (Sq mm)</b>       | 0.5   |
| <b>Max Current (A)</b>             | 9   |
| <b>Max Voltage (V)</b>             | 80  |
| <b>Height (mm)</b>                 | 20.5  |
| <b>Standard Colour</b>             | Grey  |
| <b>Width (mm)</b>                  | 16.25   |
| <b>Length (mm)</b>                 | 13  |
| <b>Solder Pin Length (mm)</b>      | 5   |
| <b>PCB Hole Diameter (mm)</b>      | 1.3   |
| <b>Comments</b>                    | Pole sizes / no of ways not shown, please contact us for availability |
| <b>IP Rating</b>                   | 20  |
| <b>Min Temperature Rating °C</b>   | 20  |
| <b>Min Wire Size AWG</b>           | 28  |
| <b>Pin Style</b>                   | Solderable  |
| <b>Tracking Resistance CTI (v)</b> | 600   |

## INDUSTRY ACCREDITATIONS

