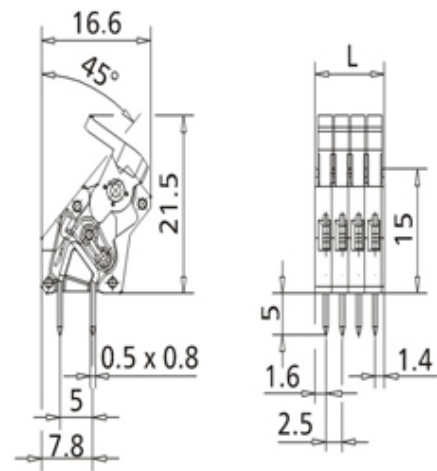




Standard PCB Terminal Blocks

Range: PCB Terminal Blocks, Connectors and Fuse Holders

Order Code: AST0411004



DESCRIPTION

10 Pole 45 degree spring PCB terminal block 2.5mm pitch 8A 80V

Subject to technical modification without notice.

Typographical and other errors do not justify claim for damages.

SPECIFICATION

| | |
|------------------------------------|---|
| Type | Spring - Screwless |
| Connection Method | Lever / Tool Less |
| Mounting Type | Wave - through hole |
| Orientation | 45 Degree |
| Join | End stackable |
| Pitch (mm) | 2.5 |
| Number of Poles | 10 |
| Min Wire Size (Sq mm) | 0.08 |
| Max Wire Size (Sq mm) | 0.5 |
| Max Current (A) | 8 |
| Max Voltage (V) | 80 |
| Height (mm) | 21.5 |
| Standard Colour | Grey |
| Width (mm) | 16.6 |
| Length (mm) | 25.5 |
| Solder Pin Length (mm) | 5 |
| PCB Hole Diameter (mm) | 1.3 |
| Comments | Pole sizes / no of ways not shown, please contact us for availability |
| IP Rating | 20 |
| Min Temperature Rating °C | 18 |
| Min Wire Size AWG | 28 |
| Pin Style | Solderable |
| Tracking Resistance CTI (v) | 600 |

INDUSTRY ACCREDITATIONS

