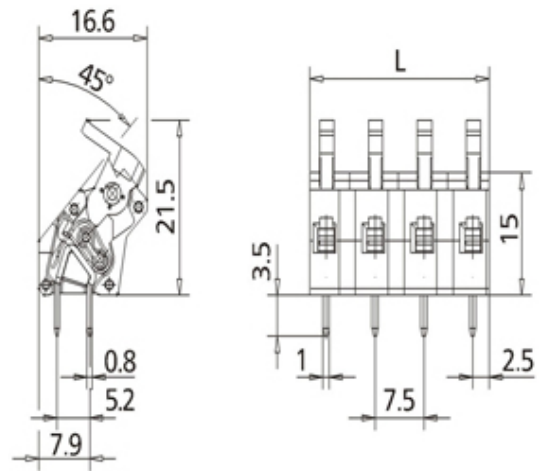
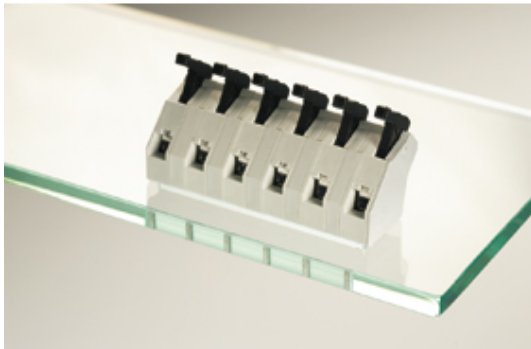




Standard PCB Terminal Blocks

Range: PCB Terminal Blocks, Connectors and Fuse Holders

Order Code: AST0470804



DESCRIPTION

8 Pole 45 degree spring PCB terminal block 7.5mm pitch 12A 400V

*Subject to technical modification without notice.
Typographical and other errors do not justify claim for damages.*

SPECIFICATION

| | |
|------------------------------------|---|
| Type | Spring - Screwless |
| Connection Method | Lever / Tool Less |
| Mounting Type | Wave - through hole |
| Orientation | 45 Degree |
| Join | End stackable |
| Pitch (mm) | 7.5 |
| Number of Poles | 8 |
| Min Wire Size (Sq mm) | 0.08 |
| Max Wire Size (Sq mm) | 1 |
| Max Current (A) | 12 |
| Max Voltage (V) | 400 |
| Height (mm) | 21.5 |
| Standard Colour | Grey |
| Width (mm) | 16.6 |
| Length (mm) | 57.5 |
| Solder Pin Length (mm) | 3.5 |
| PCB Hole Diameter (mm) | 1.4 |
| Comments | Pole sizes / no of ways not shown, please contact us for availability |
| IP Rating | 20 |
| Min Temperature Rating °C | 14 |
| Min Wire Size AWG | 28 |
| Pin Style | Solderable |
| Tracking Resistance CTI (v) | 400 |

INDUSTRY ACCREDITATIONS

