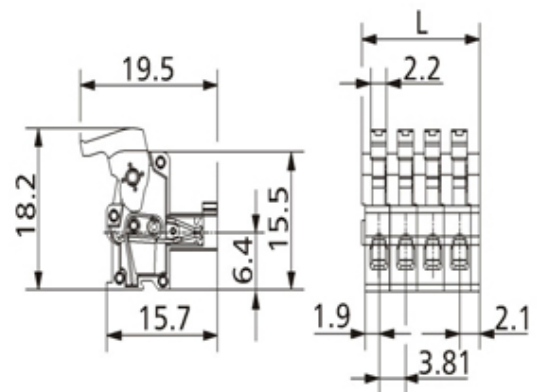




Plug and Socket PCB Terminal Blocks

Range: PCB Terminal Blocks, Connectors and Fuse Holders

Order Code: ASP0441222



DESCRIPTION

12 Pole vertical spring PCB terminal block 3.81mm pitch 10A 130V

Subject to technical modification without notice.

Typographical and other errors do not justify claim for damages.

SPECIFICATION

| | |
|------------------------------------|---|
| Type | Cable mount - Female plug |
| Connection Method | Spring - Screwless |
| Mounting Type | Spring clamp |
| Orientation | Vertical |
| Join | End stackable |
| Pitch (mm) | 3.81 |
| Number of Poles | 12 |
| Min Wire Size (Sq mm) | 0.08 |
| Max Wire Size (Sq mm) | 1.5 |
| Max Current (A) | 10 |
| Max Voltage (V) | 130 |
| Height (mm) | 18.2 |
| Standard Colour | Black |
| Width (mm) | 19.5 |
| Length (mm) | 46.1 |
| Comments | Pole sizes / no of ways not shown, please contact us for availability |
| IP Rating | 20 |
| Pin Style | Pluggable |
| Tracking Resistance CTI (v) | 400 |