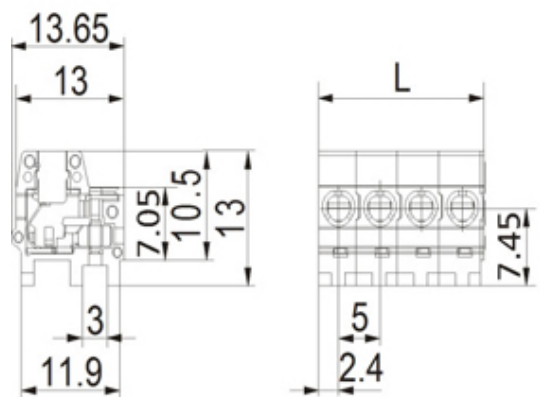
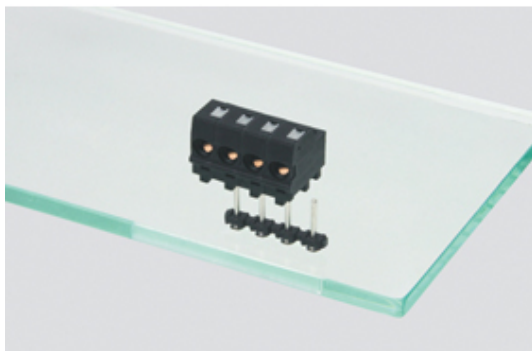




# Plug and Socket PCB Terminal Blocks

Range: PCB Terminal Blocks, Connectors and Fuse Holders

Order Code: ASP1450622



## DESCRIPTION

6 Pole horizontal spring PCB terminal block 5mm pitch 13.5A 250V

*Subject to technical modification without notice.*

*Typographical and other errors do not justify claim for damages.*

## SPECIFICATION

|                                    |   |
|------------------------------------|---|
| <b>Type</b>                        | Cable mount - Female plug   |
| <b>Connection Method</b>           | Spring - Screwless  |
| <b>Mounting Type</b>               | Spring clamp  |
| <b>Orientation</b>                 | Horizontal  |
| <b>Join</b>                        | End stackable   |
| <b>Pitch (mm)</b>                  | 5   |
| <b>Number of Poles</b>             | 6   |
| <b>Min Wire Size (Sq mm)</b>       | 0.08  |
| <b>Max Wire Size (Sq mm)</b>       | 1.5   |
| <b>Max Current (A)</b>             | 13.5  |
| <b>Max Voltage (V)</b>             | 250   |
| <b>Height (mm)</b>                 | 13  |
| <b>Standard Colour</b>             | Black   |
| <b>Width (mm)</b>                  | 13.65   |
| <b>Length (mm)</b>                 | 30  |
| <b>Comments</b>                    | Pole sizes / no of ways not shown, please contact us for availability |
| <b>IP Rating</b>                   | 20  |
| <b>Min Temperature Rating °C</b>   | 16  |
| <b>Min Wire Size AWG</b>           | 28  |
| <b>Pin Style</b>                   | Pluggable   |
| <b>Tracking Resistance CTI (v)</b> | 600   |