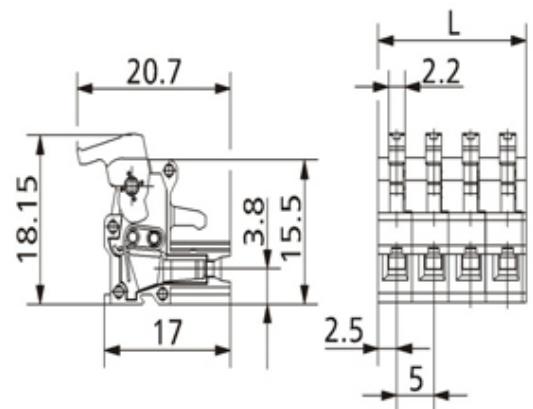
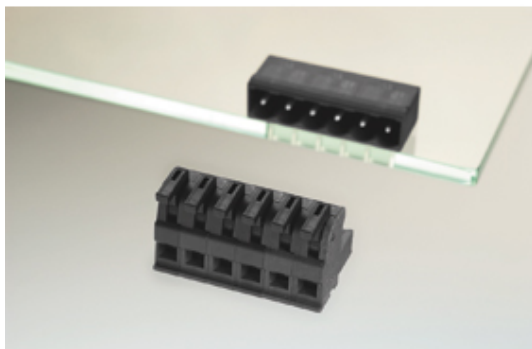




Plug and Socket PCB Terminal Blocks

Range: PCB Terminal Blocks, Connectors and Fuse Holders

Order Code: ASP0451122



DESCRIPTION

11 Pole vertical spring PCB terminal block 5mm pitch 10A 250V

Subject to technical modification without notice.

Typographical and other errors do not justify claim for damages.

SPECIFICATION

| | |
|------------------------------------|---|
| Type | Cable mount - Female plug |
| Connection Method | Spring - Screwless |
| Mounting Type | Spring clamp |
| Orientation | Vertical |
| Join | End stackable |
| Pitch (mm) | 5 |
| Number of Poles | 11 |
| Min Wire Size (Sq mm) | 0.08 |
| Max Wire Size (Sq mm) | 1 |
| Max Current (A) | 10 |
| Max Voltage (V) | 250 |
| Height (mm) | 18.15 |
| Standard Colour | Black |
| Width (mm) | 20.7 |
| Length (mm) | 55 |
| Comments | Pole sizes / no of ways not shown, please contact us for availability |
| IP Rating | 20 |
| Min Temperature Rating °C | 16 |
| Min Wire Size AWG | 28 |
| Pin Style | Pluggable |
| Tracking Resistance CTI (v) | 400 |

INDUSTRY ACCREDITATIONS

