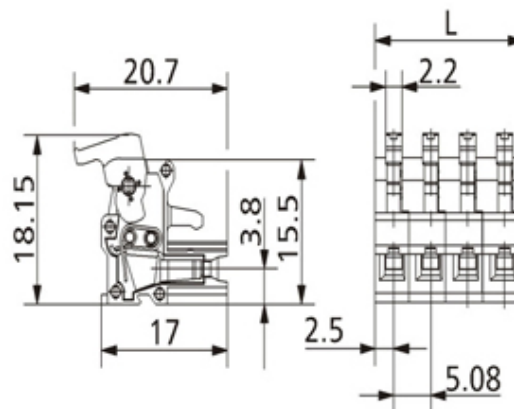
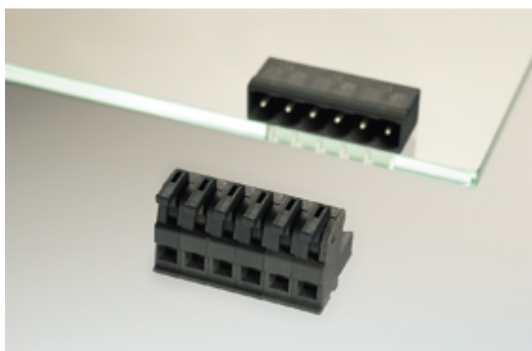


# PCB Plugs and Sockets

## Range: Clearance

Order Code: OOB-RMZ-ASP0461002 (ASP0461022)



### DESCRIPTION

CLEARANCE - 10 Pole vertical spring PCB terminal block 5.08mm pitch 10A 450V

*Subject to technical modification without notice.*

*Typographical and other errors do not justify claim for damages.*

## SPECIFICATION

Height (mm)	18.15
Width (mm)	20.7
Length (mm)	50.72
Max Current (A)	10
Max Voltage (V)	450
Comments	Pole sizes / no of ways not shown, please contact us for availability
IP Rating	20
Number of Poles	10
Pitch (mm)	5.08
Tracking Resistance CTI (v)	400