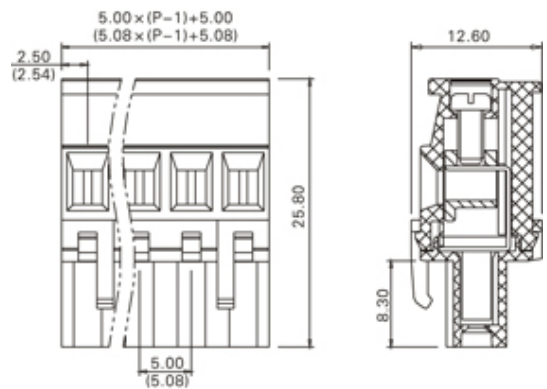
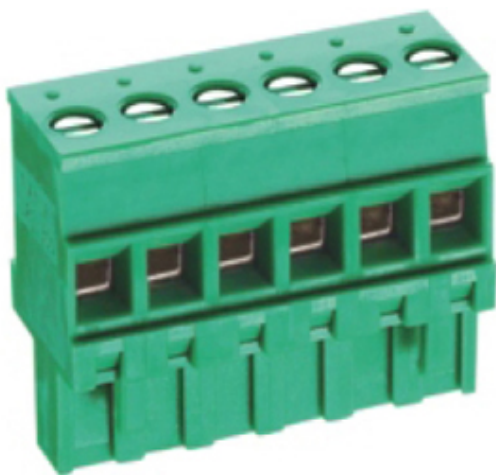




# Pluggable Cable Mounting - Pluggable (Female)

Range: PCB Terminal Blocks, Connectors and Fuse Holders

Part Number: TLPS-300R-05P5



## DESCRIPTION

5 Pole Cable mount - Female plug Screw Rising clamp Horizontal 10.16mm pitch 16A(UL) 300V(UL)

*Subject to technical modification without notice.*

*Typographical and other errors do not justify claim for damages.*

## SPECIFICATION

|                           |   |
|---------------------------|---|
| Type                      | Cable mount - Female plug   |
| Connection Method         | Screw   |
| Mounting Type             | Rising clamp  |
| Orientation               | Horizontal  |
| Join                      | Solid body non stackable  |
| Pitch (mm)                | 10.16   |
| Number of Poles           | 5   |
| Max Wire Size (Sq mm)     | 2.5   |
| Max Current (A)           | 16A(UL)   |
| Max Voltage (V)           | 300V(UL)  |
| Height (mm)               | 25.8  |
| Standard Colour           | Green   |
| Width (mm)                | 12.6  |
| Length (mm)               | 45.72   |
| Body Material             | PA66 V0   |
| Comments                  | Pole sizes / no of ways not shown, please contact us for availability |
| Min Temperature Rating °C | -40   |
| Max Temperature Rating °C | 105   |

## INDUSTRY ACCREDITATIONS

