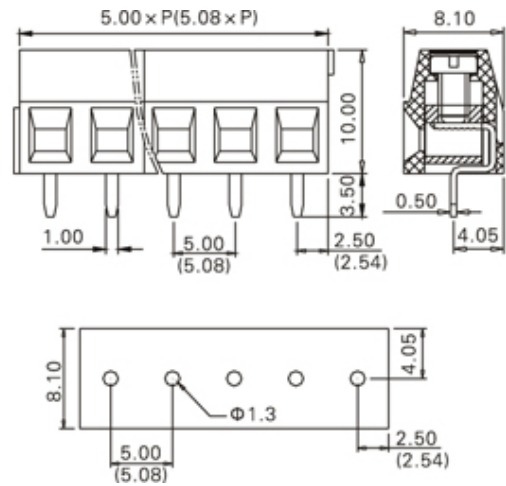




Rising Clamp - Single Row

Range: PCB Terminal Blocks, Connectors and Fuse Holders

Order Code: TL208VT-02PGS



DESCRIPTION

2 Pole Screw Rising Clamp Wave - through hole Vertical 5mm pitch 10A(UL) 150V(UL)

*Subject to technical modification without notice.
Typographical and other errors do not justify claim for damages.*

SPECIFICATION

| | |
|----------------------------------|-----------------------------------------------------------------------|
| Type | Screw |
| Connection Method | Rising Clamp |
| Mounting Type | Wave - through hole |
| Orientation | Vertical |
| Join | Interlocking |
| Pitch (mm) | 5 |
| Number of Poles | 2 |
| Min Wire Size (Sq mm) | 0.12 |
| Max Wire Size (Sq mm) | 1.5 |
| Max Current (A) | 10A(UL) |
| Max Voltage (V) | 150V(UL) |
| Height (mm) | 10 |
| Standard Colour | Green |
| Width (mm) | 8.1 |
| Length (mm) | 10 |
| Solder Pin Length (mm) | 3.5 |
| PCB Hole Diameter (mm) | 1.3 |
| Body Material | PA66 V0 |
| Comments | Pole sizes / no of ways not shown, please contact us for availability |
| Min Temperature Rating °C | -40 |
| Max Temperature Rating °C | 105 |
| Min Wire Size AWG | 26 |
| Max Wire Size AWG | 16 |

INDUSTRY ACCREDITATIONS

