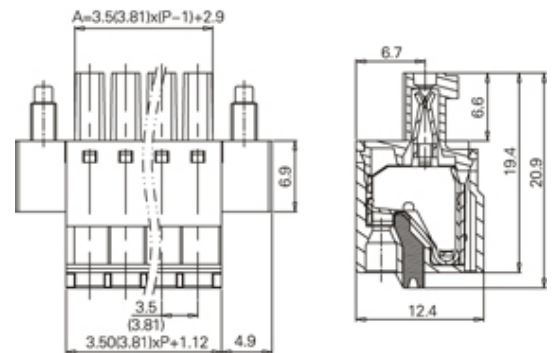


# Pluggable Cable Mounting - Pluggable (Female)

Range: PCB Terminal Blocks, Connectors and Fuse Holders

Order Code: TLPSW-101V-04P



## DESCRIPTION

4 Pole Pluggable type Horizontal 3.81mm pitch 12A(UL) 300V(UL)

*Subject to technical modification without notice.*

*Typographical and other errors do not justify claim for damages.*

## SPECIFICATION

|                          |                          |
|--------------------------|--------------------------|
| <b>Connection Method</b> | Pluggable type           |
| <b>Mounting Type</b>     | Horizontal               |
| <b>Orientation</b>       | Horizontal               |
| <b>Join</b>              | Solid body non stackable |
| <b>Pitch (mm)</b>        | 3.81                     |
| <b>Number of Poles</b>   | 4                        |
| <b>Max Current (A)</b>   | 12A(UL)                  |
| <b>Max Voltage (V)</b>   | 300V(UL)                 |
| <b>Height (mm)</b>       | 20.9                     |
| <b>Width (mm)</b>        | 12.4                     |
| <b>Length (mm)</b>       | 26.16                    |
| <b>Body Material</b>     | PA66 V0                  |