



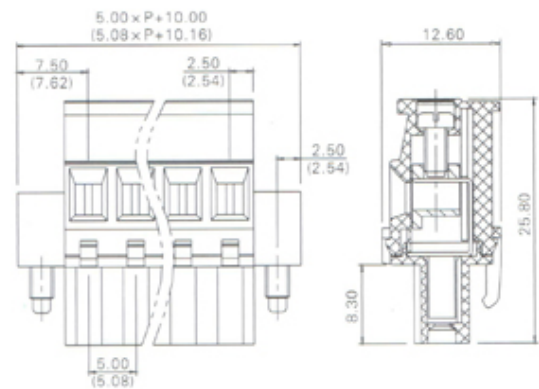
Pluggable Cable Mounting - Pluggable (Female)

Range: PCB Terminal Blocks, Connectors and Fuse Holders

Order Code: TLPSD-007V-20P



Product Image
Not Available



DESCRIPTION

20 Pole Pluggable type Horizontal 3.5mm pitch 8A 150V

Subject to technical modification without notice.

Typographical and other errors do not justify claim for damages.

SPECIFICATION

| | |
|--------------------------|--------------------------|
| Connection Method | Pluggable type |
| Mounting Type | Horizontal |
| Orientation | Horizontal |
| Join | Solid body non stackable |
| Pitch (mm) | 3.5 |
| Number of Poles | 20 |
| Max Current (A) | 8 |
| Max Voltage (V) | 150 |
| Height (mm) | 22.9 |
| Width (mm) | 16 |
| Length (mm) | 70.7 |
| Body Material | PA66 V0 |