



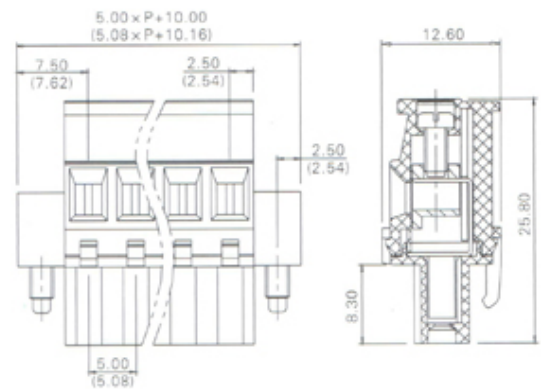
# Pluggable Cable Mounting - Pluggable (Female)

Range: PCB Terminal Blocks, Connectors and Fuse Holders

Part Number: TLPSD-007V-29P



Product Image  
Not Available



## DESCRIPTION

29 Pole Pluggable type Horizontal 3.5mm pitch 8A 150V

*Subject to technical modification without notice.*

*Typographical and other errors do not justify claim for damages.*

## SPECIFICATION

<b>Connection Method</b>	Pluggable type
<b>Mounting Type</b>	Horizontal
<b>Orientation</b>	Horizontal
<b>Join</b>	Solid body non stackable
<b>Pitch (mm)</b>	3.5
<b>Number of Poles</b>	29
<b>Max Current (A)</b>	8
<b>Max Voltage (V)</b>	150
<b>Height (mm)</b>	22.9
<b>Width (mm)</b>	16
<b>Length (mm)</b>	102.2
<b>Body Material</b>	PA66 V0