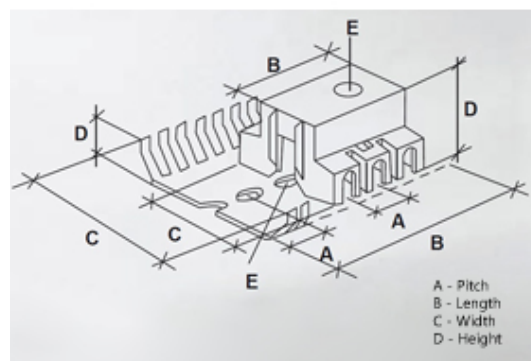
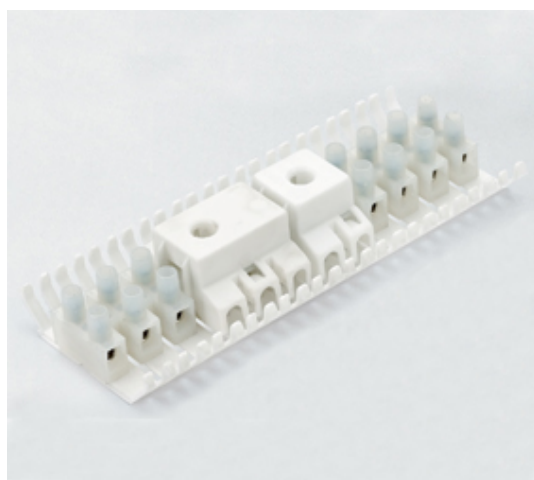


Accessories

Range: Emech Terminals/Accessories

Order Code: CTB-ACA-IGS-03 (HY4511203)



DESCRIPTION

Cover for HY432 and HY433

Subject to technical modification without notice.

Typographical and other errors do not justify claim for damages.

SPECIFICATION

Number of Poles	3
Body Material	PLP V2
Height (mm)	19
Width (mm)	31.8
Length (mm)	32