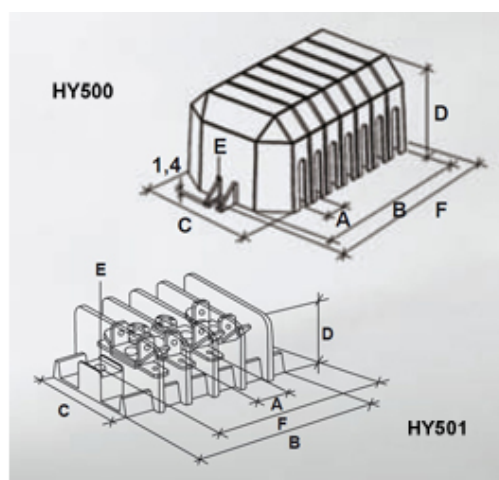


Accessories

Range: Emech Terminals/Accessories

Order Code: HY500/14 cover



DESCRIPTION

14 pole grey polyamide cover 11mm pitch

Subject to technical modification without notice.

Typographical and other errors do not justify claim for damages.

SPECIFICATION

| | |
|--------------------------------|-----------------------------------|
| Number of Poles | 14 |
| Body Material | Polyamide |
| Colour | Grey |
| UL94 Rating | UL94V1 |
| Glow Wire Resistance Test Temp | GWT750Å°C in 2 sec (EN60695-2-11) |
| Pitch (mm) | 11 |
| Height (mm) | 45 |
| Width (mm) | 63 |
| Length (mm) | 177 |

INDUSTRY ACCREDITATIONS

