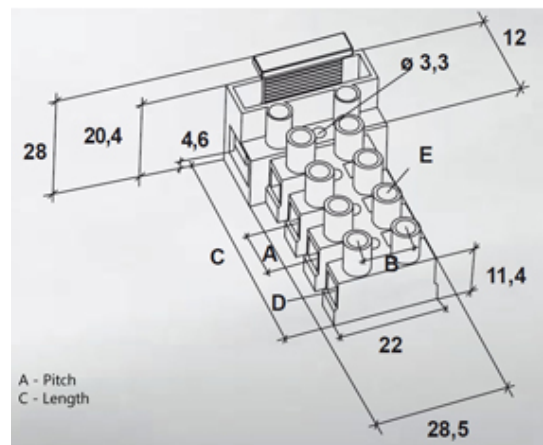


Fused Pillar Terminal Blocks

Range: Emech Terminals/Accessories

Order Code: CFS-FNS-S10-W01 (HY133/1 LP)



DESCRIPTION

1 pole grey polyamide PA6.8 wire protected fused pillar terminal block 10mm pitch a v

Subject to technical modification without notice.

Typographical and other errors do not justify claim for damages.

SPECIFICATION

Number of Poles	1
Terminal Material	OT58 nickel plated
Terminal Type	Wire Protected
Body Material	Polyamide PA6.8
Colour	Grey
Pitch (mm)	10
Height (mm)	28
Width (mm)	28.5
Length (mm)	16.6
Comments	Interlockable of on both sides.
Terminal Screw Material	White zinc plated steel
Wire Protection Material	Stainless steel

INDUSTRY ACCREDITATIONS

