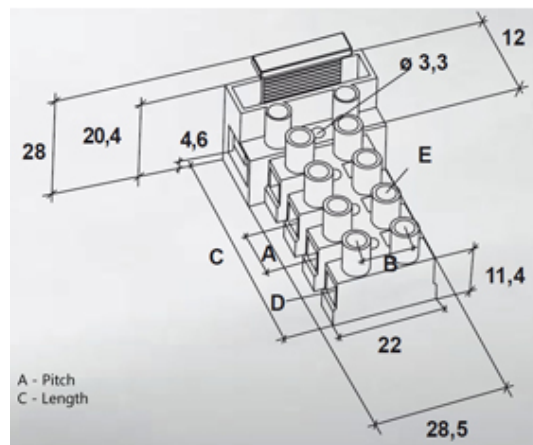


# Fused Pillar Terminal Blocks

## Range: Emech Terminals/Accessories

Order Code: HY133/3 LPMT



### DESCRIPTION

3 pole grey polyamide PA6.8 wire protected fused pillar terminal block 10mm pitch 24a 450v

*Subject to technical modification without notice.*

*Typographical and other errors do not justify claim for damages.*

## SPECIFICATION

<b>Number of Poles</b>	3
<b>Terminal Material</b>	OT58 nickel plated
<b>Terminal Type</b>	Wire Protected
<b>Body Material</b>	Polyamide PA6.8
<b>Colour</b>	Grey
<b>Max Conductor Size (Sq mm)</b>	2.5
<b>Max Current (A)</b>	24
<b>Max Voltage (V)</b>	450
<b>Pitch (mm)</b>	10
<b>Height (mm)</b>	28
<b>Width (mm)</b>	28.5
<b>Length (mm)</b>	31
<b>Comments</b>	Interlockable of on 1 side. With screw and washer (4) for earth contact
<b>Terminal Screw Material</b>	White zinc plated steel
<b>Wire Protection Material</b>	Stainless steel

## INDUSTRY ACCREDITATIONS

