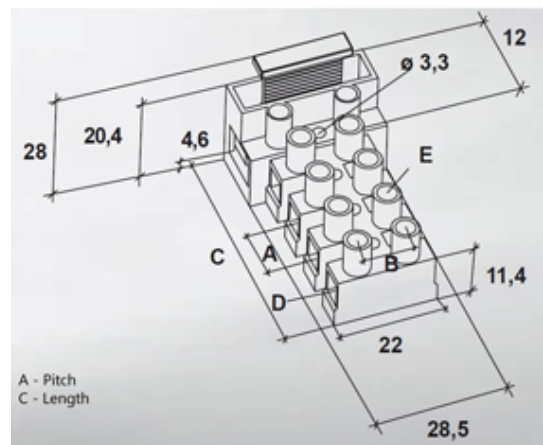


# Fused Pillar Terminal Blocks

## Range: Emech Terminals/Accessories

Order Code: CFS-FNS-S10-S05 (HY133/5)



### DESCRIPTION

5 pole grey polyamide PA6.8 fused pillar terminal block 10mm pitch 24a 450v

*Subject to technical modification without notice.*

*Typographical and other errors do not justify claim for damages.*

## SPECIFICATION

<b>Number of Poles</b>	5
<b>Terminal Material</b>	OT58 nickel plated
<b>Body Material</b>	Polyamide PA6.8
<b>Colour</b>	Grey
<b>Max Conductor Size (Sq mm)</b>	2.5
<b>Max Current (A)</b>	24
<b>Max Voltage (V)</b>	450
<b>Pitch (mm)</b>	10
<b>Height (mm)</b>	28
<b>Width (mm)</b>	28.5
<b>Length (mm)</b>	51
<b>Comments</b>	Interlockable of on 1 side.
<b>Terminal Screw Material</b>	White zinc plated steel

## INDUSTRY ACCREDITATIONS

