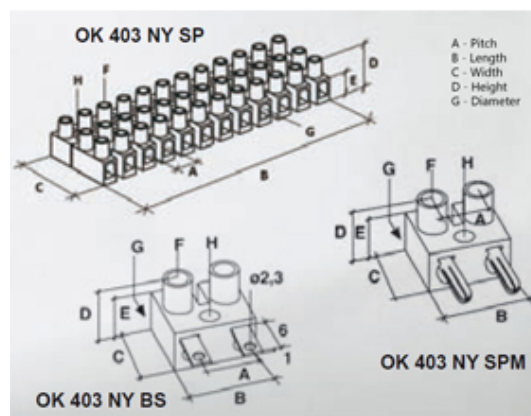
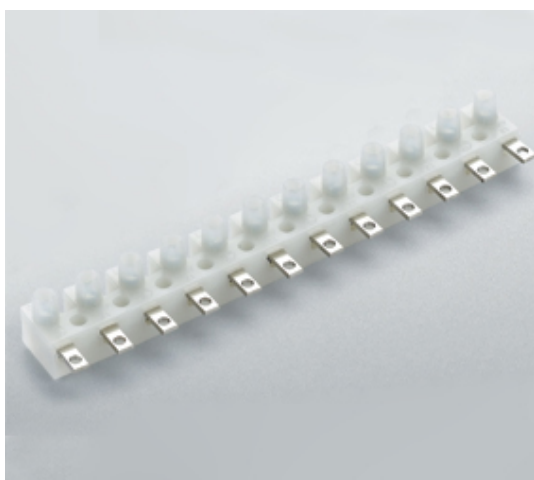


Plugs and Sockets

Range: Emech Terminals/Accessories

Order Code: HY403/6 NYBSLP



DESCRIPTION

6 pole natural polyamide PA6.6 wire protected solderable pin plug and socket terminal block 10mm pitch 24a 450v

Subject to technical modification without notice.

Typographical and other errors do not justify claim for damages.

SPECIFICATION

| | |
|-----------------------------------|-------------------------|
| Number of Poles | 6 |
| Terminal Type | Wire Protected |
| Body Material | Polyamide PA6.6 |
| Colour | Natural |
| UL94 Rating | UL94V2 |
| Min Conductor Size (Sq mm) | 2.5 |
| Max Current (A) | 24 |
| Max Voltage (V) | 450 |
| Working Temperature | 110 |
| Pitch (mm) | 10 |
| Height (mm) | 15.8 |
| Width (mm) | 14 |
| Length (mm) | 57.5 |
| Diameter (mm) | 3.5 |
| Flammability Rating | UL94V2 and GWIT775Å°C |
| Comments | solderable pin |
| Terminal Screw Material | White zinc plated steel |
| Wire Protection Material | Stainless Steel |

INDUSTRY ACCREDITATIONS

