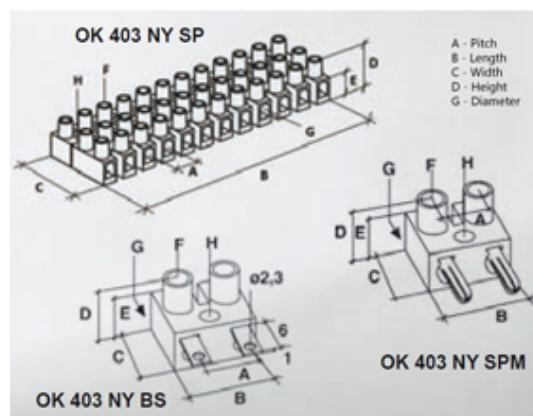
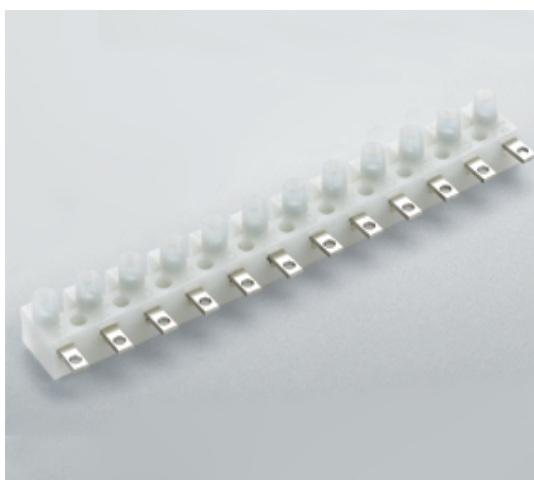


Plugs and Sockets

Range: Emech Terminals/Accessories

Part Number: HY403/12 NYBS



DESCRIPTION

12 pole natural polyamide PA6.6 solderable pin plug and socket terminal block 10mm pitch 32a 450v

Subject to technical modification without notice.

Typographical and other errors do not justify claim for damages.

SPECIFICATION

Number of Poles	12
Body Material	Polyamide PA6.6
Colour	Natural
UL94 Rating	UL94V2
Min Conductor Size (Sq mm)	4
Max Current (A)	32
Max Voltage (V)	450
Working Temperature	110
Pitch (mm)	10
Height (mm)	15.8
Width (mm)	14
Length (mm)	117.5
Diameter (mm)	3.5
Flammability Rating	UL94V2 and GWIT775°C
Comments	solderable pin
Terminal Screw Material	White zinc plated steel

INDUSTRY ACCREDITATIONS

