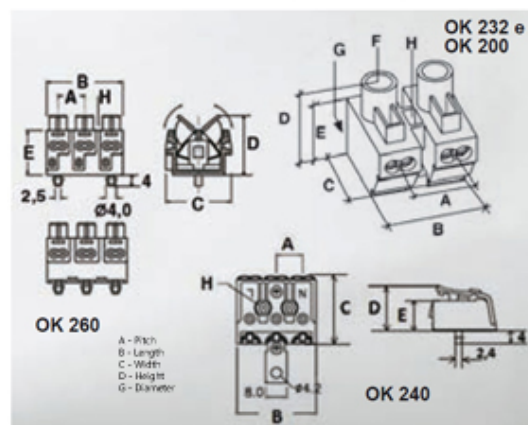


Screw to Pushwire Pillar Blocks

Range: Emech Terminals/Accessories

Order Code: HY232/2 NY



DESCRIPTION

2 pole polyamide PA6.6 screw to pushwire pillar block 10mm pitch 15a 400v

Subject to technical modification without notice.

Typographical and other errors do not justify claim for damages.

SPECIFICATION

Number of Poles	2
Terminal Material	Nickel plated steel
Body Material	Polyamide PA6.6
UL94 Rating	UL94V2
Max Conductor Size (Sq mm)	1.5/2.5
Max Current (A)	15
Max Voltage (V)	400
Working Temperature	110
Pitch (mm)	10
Height (mm)	19
Width (mm)	19
Length (mm)	17
Diameter (mm)	3
Flammability Rating	UL94V2 and GWIT775Å°C
Terminal Screw Material	White zinc plated steel

INDUSTRY ACCREDITATIONS

