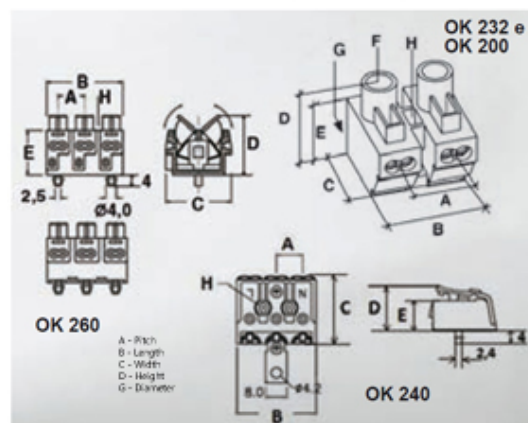


# Screw to Pushwire Pillar Blocks

## Range: Emech Terminals/Accessories

Order Code: HY232/4 NY



### DESCRIPTION

4 pole polyamide PA6.6 screw to pushwire pillar block 10mm pitch 15a 400v

*Subject to technical modification without notice.*

*Typographical and other errors do not justify claim for damages.*

## SPECIFICATION

<b>Number of Poles</b>	4
<b>Terminal Material</b>	Nickel plated steel
<b>Body Material</b>	Polyamide PA6.6
<b>UL94 Rating</b>	UL94V2
<b>Max Conductor Size (Sq mm)</b>	1.5/2.5
<b>Max Current (A)</b>	15
<b>Max Voltage (V)</b>	400
<b>Working Temperature</b>	110
<b>Pitch (mm)</b>	10
<b>Height (mm)</b>	19
<b>Width (mm)</b>	19
<b>Length (mm)</b>	37
<b>Diameter (mm)</b>	3
<b>Flammability Rating</b>	UL94V2 and GWIT775Å°C
<b>Terminal Screw Material</b>	White zinc plated steel

## INDUSTRY ACCREDITATIONS

