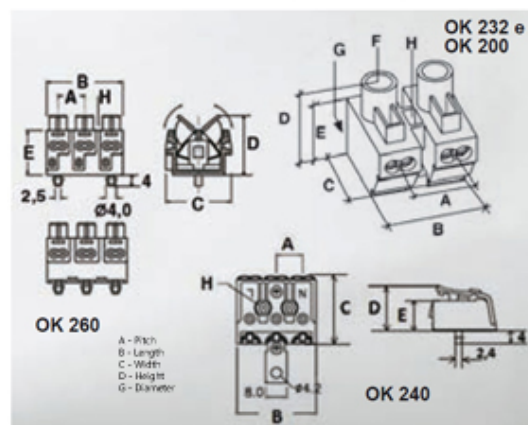


Screw to Pushwire Pillar Blocks

Range: Emech Terminals/Accessories

Order Code: CTB-LLA-S10-L03 (HY240/3 NY)



DESCRIPTION

3 pole polyamide PA6.6 screw to pushwire pillar block 10mm pitch 24a 400v

Subject to technical modification without notice.

Typographical and other errors do not justify claim for damages.

SPECIFICATION

| | |
|-----------------------------------|-------------------------|
| Number of Poles | 3 |
| Terminal Material | Nickel plated steel |
| Body Material | Polyamide PA6.6 |
| UL94 Rating | UL94V2 |
| Max Conductor Size (Sq mm) | 2.5 |
| Max Current (A) | 24 |
| Max Voltage (V) | 400 |
| Working Temperature | 110 |
| Pitch (mm) | 10 |
| Height (mm) | 17 |
| Width (mm) | 25.4 |
| Length (mm) | 29.8 |
| Diameter (mm) | 3 |
| Flammability Rating | UL94V2 and GWIT775Å°C |
| Terminal Screw Material | White zinc plated steel |

INDUSTRY ACCREDITATIONS

