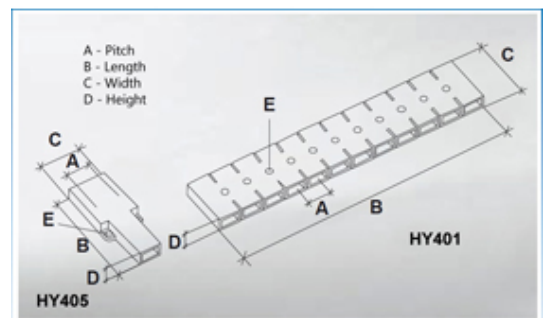
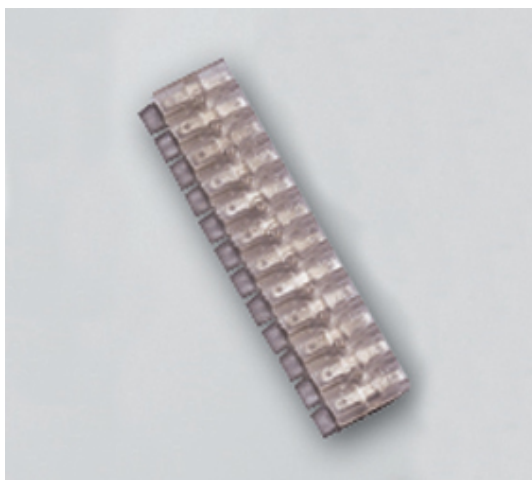


Tab to Tab Terminal Blocks

Range: Emech Terminals/Accessories

Part Number: HY400/4 08BS



DESCRIPTION

4 pole transparent PVC with solderable pin tab to tab terminal block 8.3mm pitch

Subject to technical modification without notice.

Typographical and other errors do not justify claim for damages.

SPECIFICATION

| | |
|-------------------|--------------------------------|
| Number of Poles | 4 |
| Tab Size (mm) | 2.8x0.8 |
| Terminal Material | Copper and nickel plated steel |
| Body Material | PVC |
| Colour | Transparent |
| UL94 Rating | UL94V0 |
| Pitch (mm) | 8.3 |
| Height (mm) | 6 |
| Width (mm) | 20 |
| Length (mm) | 34.6 |
| Comments | With solderable Pin |

INDUSTRY ACCREDITATIONS

