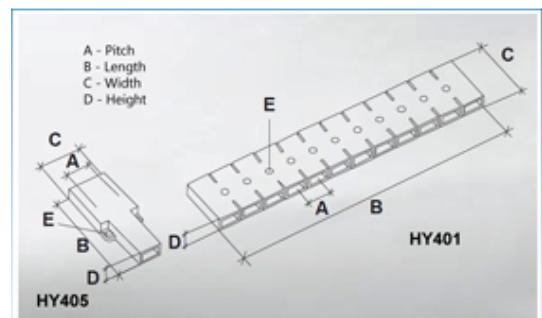
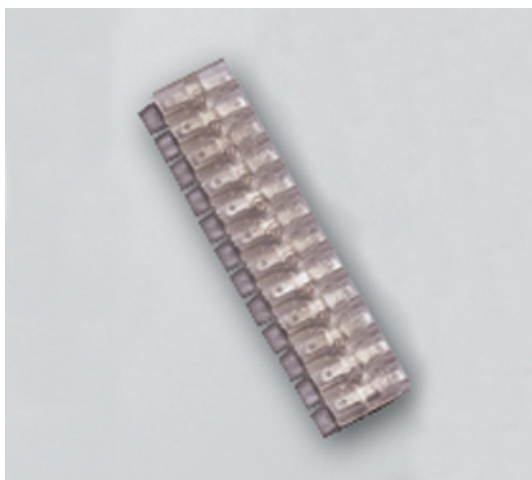


# Tab to Tab Terminal Blocks

## Range: Emech Terminals/Accessories

Order Code: HY400/11 08BS



### DESCRIPTION

11 pole transparent PVC with solderable pin tab to tab terminal block 8.3mm pitch

*Subject to technical modification without notice.*

*Typographical and other errors do not justify claim for damages.*

## SPECIFICATION

|                   |                                |
|-------------------|--------------------------------|
| Number of Poles   | 11                             |
| Tab Size (mm)     | 2.8x0.8                        |
| Terminal Material | Copper and nickel plated steel |
| Body Material     | PVC                            |
| Colour            | Transparent                    |
| UL94 Rating       | UL94V0                         |
| Pitch (mm)        | 8.3                            |
| Height (mm)       | 6                              |
| Width (mm)        | 20                             |
| Length (mm)       | 92.7                           |
| Comments          | With solderable Pin            |

## INDUSTRY ACCREDITATIONS

