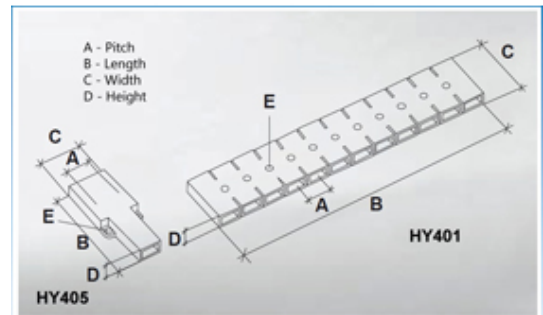


# Tab to Tab Terminal Blocks

## Range: Emech Terminals/Accessories

Part Number: HY404/11



### DESCRIPTION

11 pole transparent PVC tab to tab terminal block 12.5mm pitch

*Subject to technical modification without notice.*

*Typographical and other errors do not justify claim for damages.*

## SPECIFICATION

Number of Poles	11
Tab Size (mm)	6.35x0.8
Terminal Material	Copper and nickel plated steel
Body Material	PVC
Colour	Transparent
UL94 Rating	UL94V0
Pitch (mm)	12.5
Height (mm)	7.5
Width (mm)	50
Length (mm)	136.5

## INDUSTRY ACCREDITATIONS

