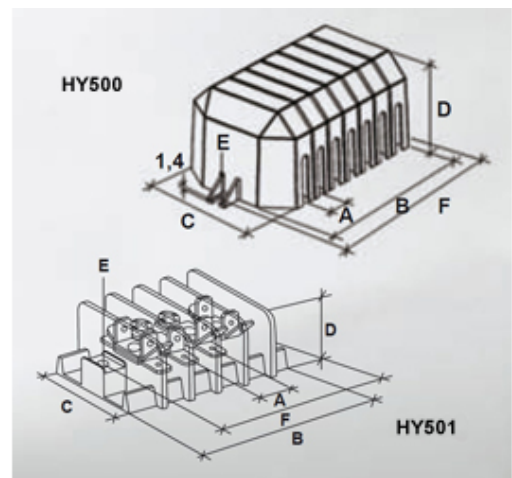
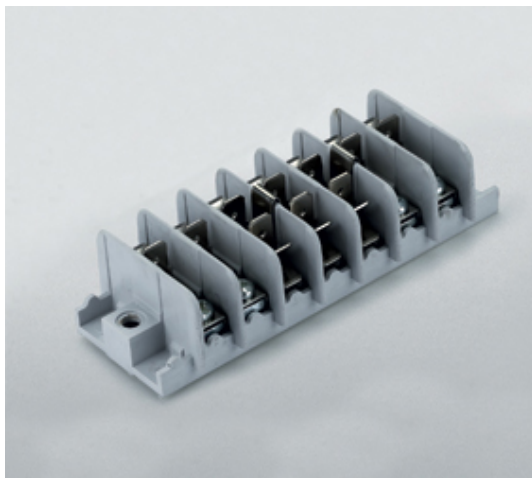




Tab to Tab Terminal Blocks

Range: Emech Terminals/Accessories

Part Number: HY501/4



DESCRIPTION

4 pole grey polyamide tailor made tab terminal block 11mm pitch 24a 450v

Subject to technical modification without notice.

Typographical and other errors do not justify claim for damages.

SPECIFICATION

| | |
|--------------------------------|----------------------------------|
| Number of Poles | 4 |
| Tabs Per Pole | 11 |
| Tab Size (mm) | 6.3x0.8 |
| Terminal Material | OT67 nickel plated |
| Body Material | Polyamide |
| Colour | Grey |
| UL94 Rating | UL94V1 |
| Glow Wire Resistance Test Temp | GWT750°C in 2 sec (EN60695-2-11) |
| Max Conductor Size (Sq mm) | 2.5 |
| Max Current (A) | 24 |
| Max Voltage (V) | 450 |
| Working Temperature | 105 |
| Pitch (mm) | 11 |
| Height (mm) | 23.2 |
| Width (mm) | 36.7 |
| Length (mm) | 63.4 |
| Diameter (mm) | 4.2 |

INDUSTRY ACCREDITATIONS



ADDITIONAL INFORMATION

Elementi di connessione per HY 501:

Connection elements for HY 501:

| | | |
|---|--|---------|
| A | ECM bipolare faston/faston - bipolar tab/tab | 0° |
| B | ECM bipolare faston/faston - bipolar tab/tab | 45° |
| C | ECM bipolare faston/faston - bipolar tab/tab | 90° |
| D | ECM unipolare faston - unipolar tab | 0° |
| E | ECM unipolare faston - unipolar tab | 45° |
| F | ECM unipolare faston - unipolar tab | 90° |
| G | ECM bipolare viteM4/faston - bipolar screwM4/tab | 0° |
| H | ECM bipolare viteM4/faston - bipolar screwM4/tab | 45° |
| I | ECM bipolare viteM4/faston - bipolar screwM4/tab | 90° |
| L | ECM bipolare viteM4/vite - bipolar screwM4/screw | |
| M | ECM bipolare faston/faston - bipolar tab/tab | 45°/90° |

