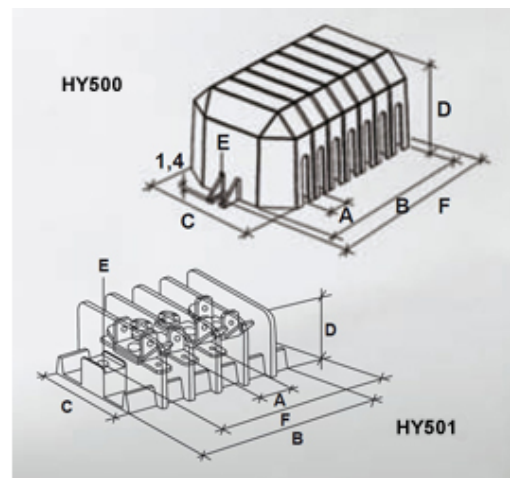
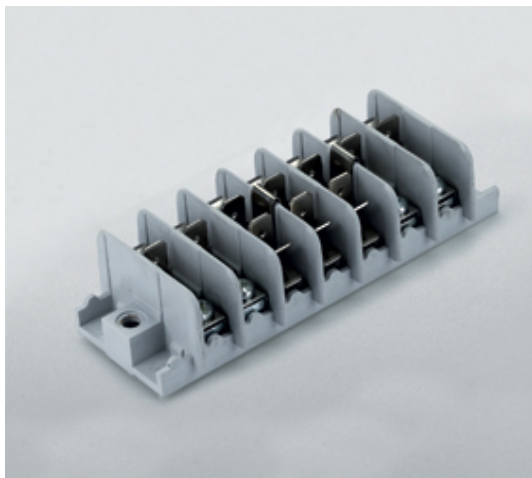


Tab to Tab Terminal Blocks

Range: Emech Terminals/Accessories

Order Code: CTB-TMS-STD-N10 (HY501/10 E)



DESCRIPTION

10 pole grey polyamide tailor made tab terminal block 11mm pitch 24a 450v

Subject to technical modification without notice.

Typographical and other errors do not justify claim for damages.

SPECIFICATION

| | |
|--------------------------------|---|
| Number of Poles | 10 |
| Tabs Per Pole | 11 |
| Tab Size (mm) | 6.3x0.8 |
| Terminal Material | White zinc plated high resistance steel |
| Body Material | Polyamide |
| Colour | Grey |
| UL94 Rating | UL94V1 |
| Glow Wire Resistance Test Temp | GWT750Å°C in 2 sec (EN60695-2-11) |
| Max Conductor Size (Sq mm) | 2.5 |
| Max Current (A) | 24 |
| Max Voltage (V) | 450 |
| Working Temperature | 105 |
| Pitch (mm) | 11 |
| Height (mm) | 23.2 |
| Width (mm) | 36.7 |
| Length (mm) | 129.4 |
| Diameter (mm) | 4.2 |

INDUSTRY ACCREDITATIONS



ADDITIONAL INFORMATION

Elementi di connessione per HY 501:

Connection elements for HY 501:

| | | |
|---|--|---------|
| A | ECM bipolare faston/faston - bipolar tab/tab | 0° |
| B | ECM bipolare faston/faston - bipolar tab/tab | 45° |
| C | ECM bipolare faston/faston - bipolar tab/tab | 90° |
| D | ECM unipolare faston - unipolar tab | 0° |
| E | ECM unipolare faston - unipolar tab | 45° |
| F | ECM unipolare faston - unipolar tab | 90° |
| G | ECM bipolare viteM4/faston - bipolar screwM4/tab | 0° |
| H | ECM bipolare viteM4/faston - bipolar screwM4/tab | 45° |
| I | ECM bipolare viteM4/faston - bipolar screwM4/tab | 90° |
| L | ECM bipolare viteM4/vite - bipolar screwM4/screw | |
| M | ECM bipolare faston/faston - bipolar tab/tab | 45°/90° |

