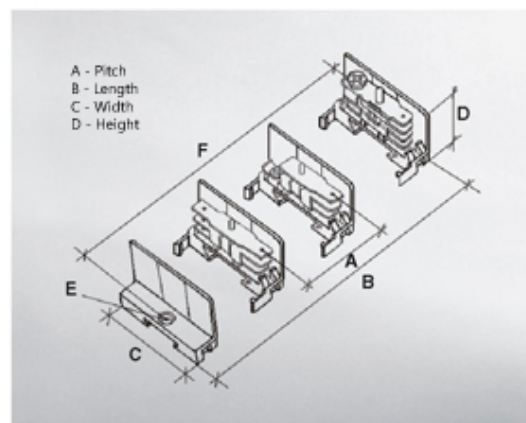
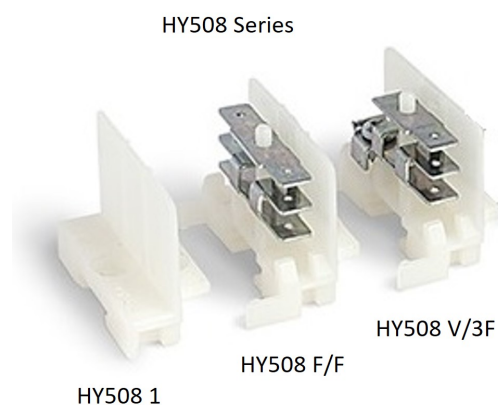




Tab to Tab Terminal Blocks

Range: Emech Terminals/Accessories

Part Number: HY508/1



DESCRIPTION

Interlockable pole polyamide pa6.6 tab to tab terminal block 11mm pitch

Subject to technical modification without notice.

Typographical and other errors do not justify claim for damages.

SPECIFICATION

Number of Poles	Interlockable
Tab Size (mm)	6.3x0.8
Terminal Material	Copper and nickel plated steel
Body Material	Polyamide PA6.6
UL94 Rating	UL94V2
Pitch (mm)	11
Height (mm)	29
Width (mm)	38
Length (mm)	19.2 + (Poles x 11)

INDUSTRY ACCREDITATIONS

