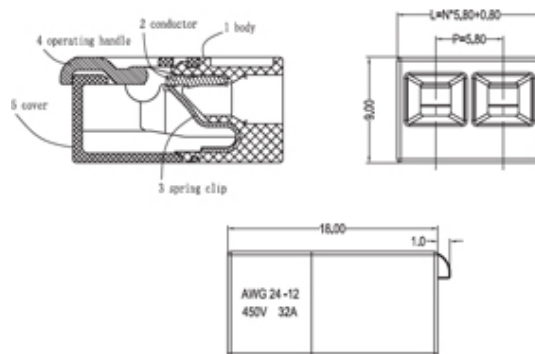


Kwik Lever Connectors

Range: Emech Terminals/Accessories

Part Number: HYKL-02



DESCRIPTION

1 Pole 2 Way Kwik Lever connector with lever-spring clamp action for junction boxes

EMECH TERMINALS/ACCESSORIES FEATURES

- Lever-spring clamp action for junction boxes
- Can be used for stranded cable as well as solid due to the lever-spring clamp action
- Transparent housing supports easy visual inspection
- Convenient, Time saving, Efficient, Safe and reliable
- Test Ports to confirm connections

Subject to technical modification without notice.

Typographical and other errors do not justify claim for damages.

SPECIFICATION

Number of Poles	1 Pole 2 Way
Colour	Transparent with Orange Levers
Max Conductor Size (Sq mm)	4
Min Conductor Size AWG	24
Max Conductor Size AWG	12
Max Current (A)	32
Max Voltage (V)	450
Pitch (mm)	5.8
Height (mm)	9
Width (mm)	18
Length (mm)	12.4
Comments	Can be used for stranded cable as well as solid due to the lever-spring clamp action

INDUSTRY ACCREDITATIONS

