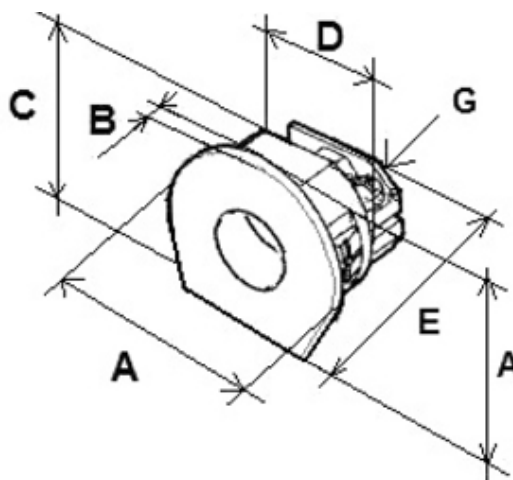




# Cable Clamps

Range: Emech Terminals/Accessories

Order Code: HY701



## DESCRIPTION

Cable clamp without screw

*Subject to technical modification without notice.*

*Typographical and other errors do not justify claim for damages.*

## SPECIFICATION

<b>Body Material</b>	Polyamide
<b>UL94 Rating</b>	UL94V0
<b>Working Temperature</b>	140
<b>Diameter (mm)</b>	29

## INDUSTRY ACCREDITATIONS

