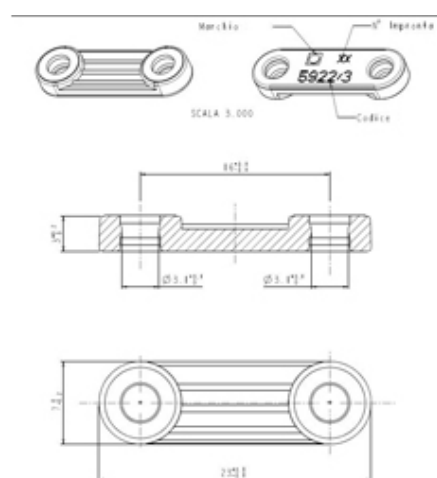




Accessories

Range: Weatherproof/Waterproof Connectors

Order Code: GCC-FSA-23-07-3WE (5922/3////16)



DESCRIPTION

Cable clamp with two fixing screws

Subject to technical modification without notice.

Typographical and other errors do not justify claim for damages.

SPECIFICATION

Colour	White
Width (mm)	7
Depth (mm)	3
Min Temperature Rating °C	-40
Max Temperature Rating °C	120
Comments	16.0mm distance between bolts

INDUSTRY ACCREDITATIONS

