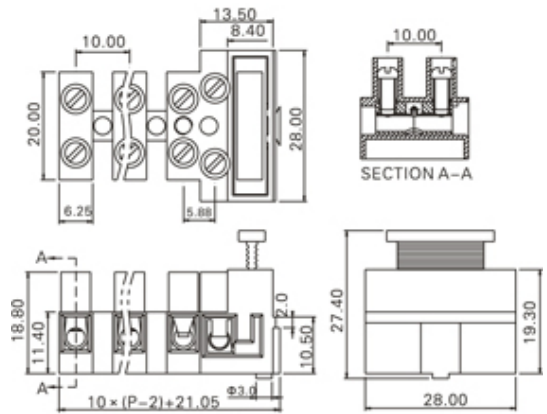




# Fused PCB Terminal Block

Range: PCB Terminal Blocks, Connectors and Fuse Holders

Order Code: TLF-100E-3P



## DESCRIPTION

3 Pole Fuse terminal Vertical mm pitch 20A(UL) 24A(VDE) 300V(UL) 450V(VDE)

*Subject to technical modification without notice.*

*Typographical and other errors do not justify claim for damages.*

## SPECIFICATION

|                          |                          |
|--------------------------|--------------------------|
| <b>Connection Method</b> | Fuse terminal            |
| <b>Mounting Type</b>     | Vertical                 |
| <b>Orientation</b>       | Vertical                 |
| <b>Join</b>              | Solid body non stackable |
| <b>Number of Poles</b>   | 3                        |
| <b>Max Current (A)</b>   | 20A(UL) 24A(VDE)         |
| <b>Max Voltage (V)</b>   | 300V(UL) 450V(VDE)       |
| <b>Height (mm)</b>       | 27.4                     |
| <b>Standard Colour</b>   | Gray                     |
| <b>Width (mm)</b>        | 28                       |
| <b>Length (mm)</b>       | 31.05                    |