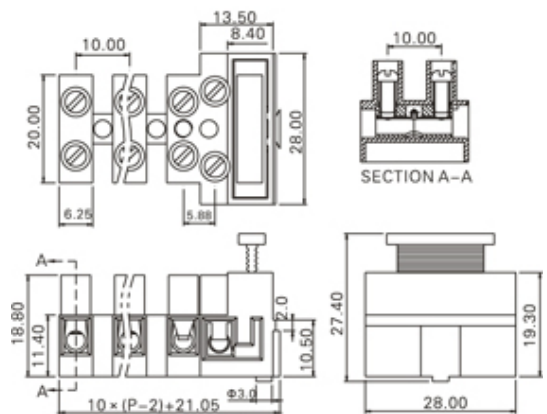




# Fused PCB Terminal Block

Range: PCB Terminal Blocks, Connectors and Fuse Holders

Order Code: TLF-100W-3P



## DESCRIPTION

3 Pole Fuse terminal Vertical mm pitch 20A(UL) 24A(VDE) 300V(UL) 450V(VDE)

*Subject to technical modification without notice.*

*Typographical and other errors do not justify claim for damages.*

## SPECIFICATION

<b>Connection Method</b>	Fuse terminal
<b>Mounting Type</b>	Vertical
<b>Orientation</b>	Vertical
<b>Join</b>	Solid body non stackable
<b>Number of Poles</b>	3
<b>Max Current (A)</b>	20A(UL) 24A(VDE)
<b>Max Voltage (V)</b>	300V(UL) 450V(VDE)
<b>Height (mm)</b>	27.4
<b>Standard Colour</b>	Gray
<b>Width (mm)</b>	28
<b>Length (mm)</b>	31.05