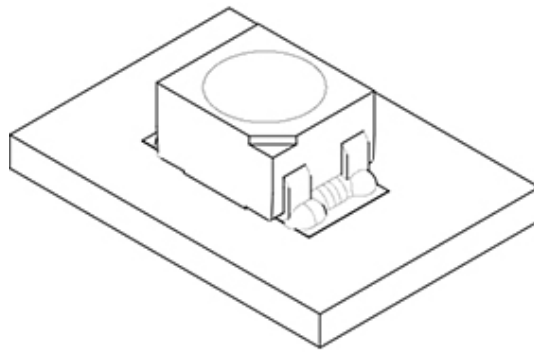


Lamps

Range: Clearance

Order Code: KA-3528AQBC-D



DESCRIPTION

CLEARANCE - 2000 on reel: PLCC2 BLUE SMD WC LED

CLEARANCE FEATURES

- Single Color.
- Suitable For All Smt Assembly And Solder Process.
- Available On Tape And Reel.
- Ideal For Backlighting.
- Package : 1500Pcs / Reel.
- Moisture Sensitivity Level : Level 4.
- RoHS Compliant.

Subject to technical modification without notice.

Typographical and other errors do not justify claim for damages.

SPECIFICATION

Comments	The Blue source color devices are made with AlInGaN on Sapphire Light Emitting Diode. Static electricity and surge damage the LEDs. It is recommended to use a wrist band or anti-electrostatic glove when handling the LEDs. All devices, equipment and machinery must be electrically grounded.
-----------------	---