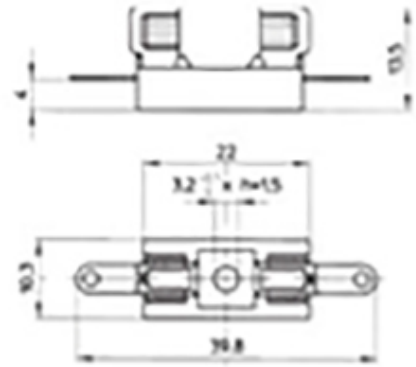




Fuse Holders

Range: PCB Terminal Blocks, Connectors and Fuse Holders

Order Code: DFH03



DESCRIPTION

5x20mm Chassis Mount Fuseholder

*Subject to technical modification without notice.
Typographical and other errors do not justify claim for damages.*

SPECIFICATION

Max Current (A)	10
Max Voltage (V)	250
Power Dissipation (w)	1.6
Insulation Resistance (mOhm)	>100