

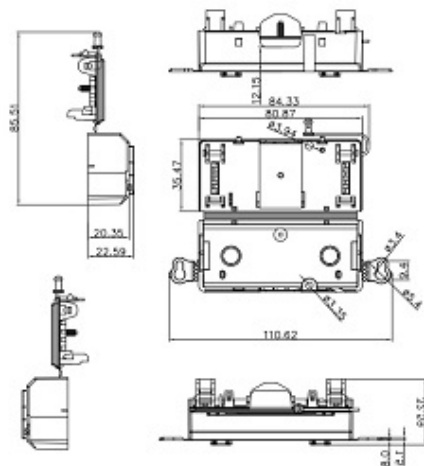
# Debox®

## Range: Debox®

Order Code: EJB-DBX-08-03-04-WW (Debox SM40)



DESIGNED  
TO FIT INSIDE A  
**40MM**  
APERTURE



### DESCRIPTION

The Debox SM40 is the first 4 pole inline junction box that fits into a 40mm aperture yet still retains a generous cable management space. This makes Debox SM40 ideal for use in LED lighting.

As with all Debox Junction boxes, Debox SM40 comes ready for use, supplied with all components including the terminal block, making connection simpler and easier.

The mini Debox SM40 is only 50% of the volume of the Debox S and SL, making it the most compact 4 pole junction box available.

### DEBOX® FEATURES

- Fits inside a 40mm aperture
- Saves Time & Money
- Supplied with 4-Pole Terminal Block
- Smallest Junction Box with 4 Poles
- EN 60598-1 (GWT 650 °C)
- Flame Retardant Housing
- Complete with 2 Locking Clips (one spare)
- External Fixing Lugs
- Registered design: 008190920

*Subject to technical modification without notice.*

*Typographical and other errors do not justify claim for damages.*

## SPECIFICATION

<b>Number of Poles</b>	4
<b>Body Material</b>	Polypropylene
<b>Colour</b>	White
<b>Min Conductor Size (Sq mm)</b>	0.25
<b>Max Conductor Size (Sq mm)</b>	4
<b>Max Current (A)</b>	24
<b>Height (mm)</b>	25
<b>Width (mm)</b>	35
<b>Length (mm)</b>	80
<b>Min Temperature Rating °C</b>	-20
<b>Max Temperature Rating °C</b>	85