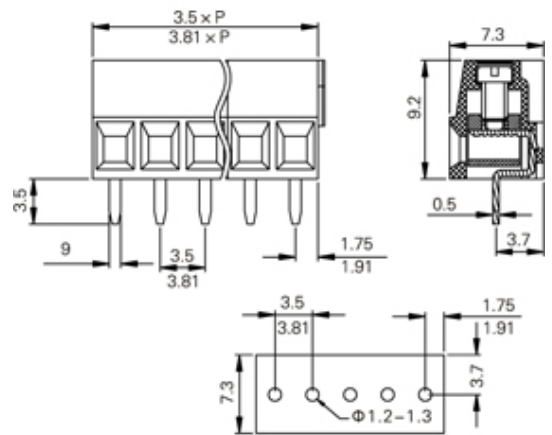




# Rising Clamp - Single Row

Range: PCB Terminal Blocks, Connectors and Fuse Holders

Part Number: TL104V-17PGS



## DESCRIPTION

17 Pole Screw Rising Clamp Vertical 3.81mm pitch 10A(UL) 300V(UL)

*Subject to technical modification without notice.*

*Typographical and other errors do not justify claim for damages.*

## SPECIFICATION

|                               |              |
|-------------------------------|--------------|
| <b>Type</b>                   | Screw        |
| <b>Connection Method</b>      | Rising Clamp |
| <b>Mounting Type</b>          | Vertical     |
| <b>Orientation</b>            | Vertical     |
| <b>Join</b>                   | Interlocking |
| <b>Pitch (mm)</b>             | 3.81         |
| <b>Number of Poles</b>        | 17           |
| <b>Max Current (A)</b>        | 10A(UL)      |
| <b>Max Voltage (V)</b>        | 300V(UL)     |
| <b>Height (mm)</b>            | 9.2          |
| <b>Standard Colour</b>        | Green        |
| <b>Width (mm)</b>             | 7.3          |
| <b>Length (mm)</b>            | 64.77        |
| <b>Solder Pin Length (mm)</b> | 3.5          |
| <b>PCB Hole Diameter (mm)</b> | 1.2-1.3      |
| <b>Body Material</b>          | PA66 V0      |