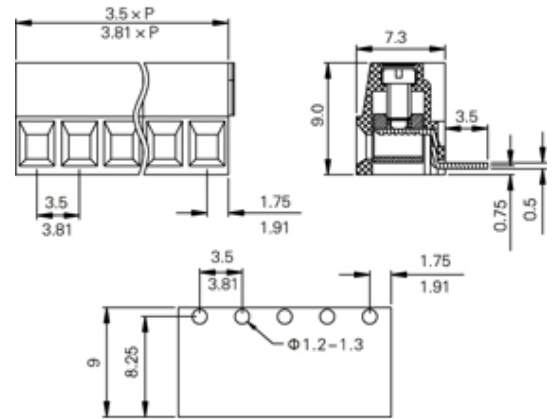
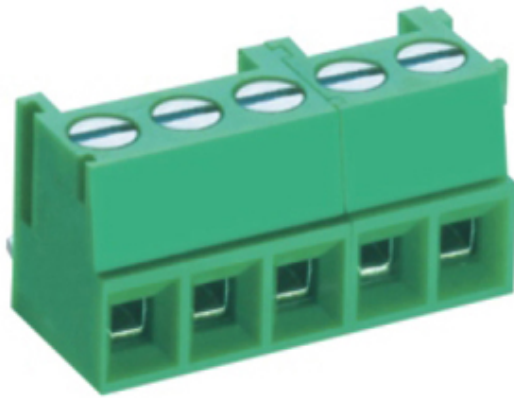




Rising Clamp - Single Row

Range: PCB Terminal Blocks, Connectors and Fuse Holders

Part Number: TL104R-09PGS



DESCRIPTION

9 Pole Screw Rising Clamp Horizontal 3.81mm pitch 10A(UL) 300V(UL)

Subject to technical modification without notice.

Typographical and other errors do not justify claim for damages.

SPECIFICATION

| | |
|-------------------------------|--------------|
| Type | Screw |
| Connection Method | Rising Clamp |
| Mounting Type | Horizontal |
| Orientation | Horizontal |
| Join | Interlocking |
| Pitch (mm) | 3.81 |
| Number of Poles | 9 |
| Max Current (A) | 10A(UL) |
| Max Voltage (V) | 300V(UL) |
| Height (mm) | 9 |
| Standard Colour | Green |
| Width (mm) | 7.3 |
| Length (mm) | 34.29 |
| Solder Pin Length (mm) | 3.5 |
| PCB Hole Diameter (mm) | 1.2-1.3 |
| Body Material | PA66 V0 |