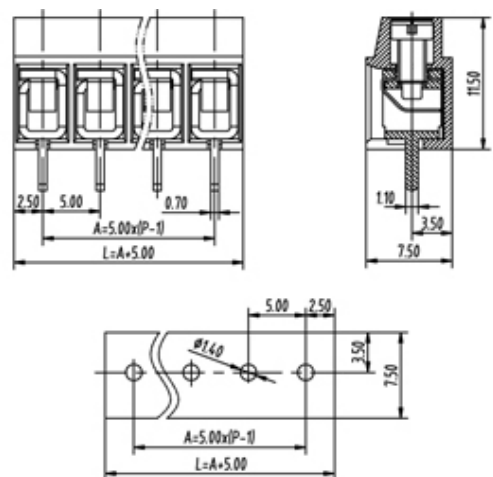
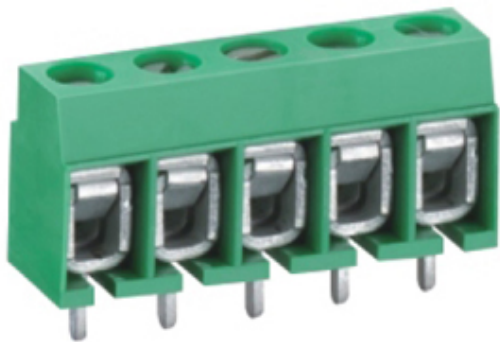




Through Hole Mount/Wire Protected

Range: PCB Terminal Blocks, Connectors and Fuse Holders

Order Code: TL226V-23PGS



DESCRIPTION

23 Pole Screw Wire Protector Vertical 5mm pitch 16A(UL) 24A(VDE) 300V(UL) 250V(VDE)

Subject to technical modification without notice.

Typographical and other errors do not justify claim for damages.

SPECIFICATION

| | |
|-------------------------------|--------------------------|
| Type | Screw |
| Connection Method | Wire Protector |
| Mounting Type | Vertical |
| Orientation | Vertical |
| Join | Solid body non stackable |
| Pitch (mm) | 5 |
| Number of Poles | 23 |
| Max Current (A) | 16A(UL) 24A(VDE) |
| Max Voltage (V) | 300V(UL) 250V(VDE) |
| Height (mm) | 11.5 |
| Standard Colour | Green |
| Width (mm) | 7.5 |
| Length (mm) | 115 |
| PCB Hole Diameter (mm) | 1.4 |
| Body Material | PA66 V0 |