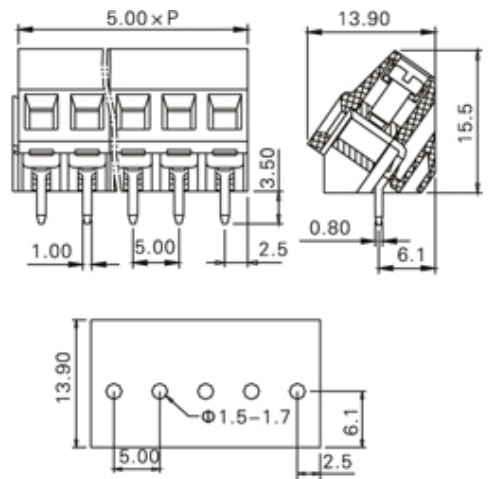
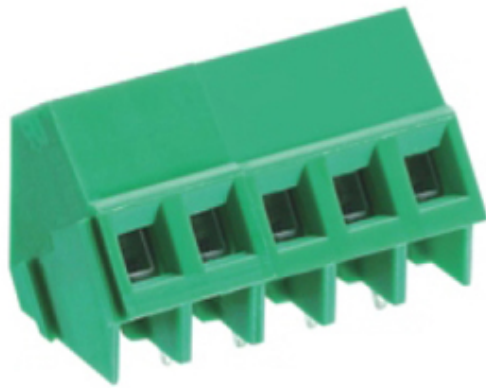




Rising Clamp - Single Row

Range: PCB Terminal Blocks, Connectors and Fuse Holders

Order Code: TL207-16PGS



DESCRIPTION

16 Pole Screw Rising Clamp Wave - through hole 35 degree 5mm pitch 12A 250V

Subject to technical modification without notice.

Typographical and other errors do not justify claim for damages.

SPECIFICATION

| | |
|----------------------------------|---|
| Type | Screw |
| Connection Method | Rising Clamp |
| Mounting Type | Wave - through hole |
| Orientation | 35 degree |
| Join | Interlocking |
| Pitch (mm) | 5 |
| Number of Poles | 16 |
| Min Wire Size (Sq mm) | 0.25 |
| Max Wire Size (Sq mm) | 2.5 |
| Max Current (A) | 12 |
| Max Voltage (V) | 250 |
| Height (mm) | 15.5 |
| Standard Colour | Green |
| Width (mm) | 13.9 |
| Length (mm) | 80 |
| Solder Pin Length (mm) | 3.5 |
| PCB Hole Diameter (mm) | 1.5-1.7 |
| Body Material | PA66 V0 |
| Comments | Pole sizes / no of ways not shown, please contact us for availability |
| Min Temperature Rating °C | -40 |
| Max Temperature Rating °C | 105 |
| Min Wire Size AWG | 24 |
| Max Wire Size AWG | 12 |

INDUSTRY ACCREDITATIONS

